

| | |
|--------------|------|
| Project Name | Type |
| Catalog # | Date |

HIGH OUTPUT STRIP LED LIGHTING

LRS LED



APPLICATIONS

- Industrial/Manufacturing
- Warehouse/Storage Areas
- Commercial Spaces
- General Linear/Aisle Lighting

APPROVALS

- ETL listed
- Complies with UL1598 and CSA C22.2#250.0.0:2008
- Suitable for dry and damp locations.
- BAA Compliant. RoHS Compliant.
- Appropriate parts/test guidelines were performed by ATAL www.ata-labs.com
- Select Models DLC Qualified. For a complete list of DLC Qualified products please visit: www.xtralight.com/dlc or www.designlights.org/qpl

FEATURES

- Up to 8846 Lm delivered
- An energy-efficient LED replacement for up a 2 lamp T8 fluorescent wrap or strip
- Low wattage, high efficiency luminaire utilizing patented LED technology
- Operating temperature: -40°C to +50°C (-40°F to +122°F)
- Controls Ready: Capable of working with virtually any network controls or building automation
- Tunable White option is available on our [website](#).

CONSTRUCTION

- Available in 2, 4 or 8 foot models
- Housing: 22 gauge white steel with die-cast end caps mechanically fastened to body for strength and rigidity
- Proprietary ribbed, frosted lens.
- Weight: 4 ft. model - 8 lbs., 8 ft. model - 16 lbs.

(will vary slightly depending on driver specified)

MOUNTING

- Surface, adjustable cable or chain mount ready.

ELECTRICAL

- LED modules individually replaceable ensuring easy serviceability in the field.
- Driver: 24VDC Class 2, constant current, electronic power supply factory calibrated to LED modules. Multi-volt 120-277V, 0-10V dimming option is standard.
- Voltage: 120-277VAC input. Optional 480V.

OPTICS

- Best In Class LEDs: 3000K, 3500K, 4000K and 5000K CCT (min 80 CRI)
- Lumen Maintenance: >100,000 hours at 70% initial lumens (L₇₀).

WARRANTY

- Backed by XtraLight's industry leading 10-year warranty.

ORDER LOGIC

SAMPLE CATALOG NUMBER: LRS4-5000L-40K-DIM

| LENGTH | MODEL | CCT | DRIVER | SPECIAL OPTIONS |
|----------|----------------------------|---------------------------------------|--|---|
| 2' 2 ft. | 2000L | 30K 3000K | UNV ² Multi-Volt 120-277V Non-Dimming | EM ³ Emergency Battery Back-Up |
| | 3000L | 35K 3500K | | |
| | 4000L | 40K 4000K | | |
| 4 4 ft. | 2000L | 50K 5000K | DIM Multi-Volt 120-277V Dimming | WG Wire Guard |
| | 3000L | | | |
| | 4000L | | | |
| | 5000L | | | |
| | 6000L | | | |
| 8 8 ft. | 4000L | 480 ² 347-480V Non-Dimming | 48D 347-480V Dimming | GTD Generator Transfer Device |
| | 5000L | | | |
| | 6000L | | | |
| | 7500L | | | |
| 8500L | AOS Aisle Occupancy Sensor | OOS Open Area Occupancy Sensor | FSP2 Programmable Occupancy Sensor, 8'H/44'D | FSP3 Programmable Occupancy Sensor, 20'H/40'D |
| 5000L | | | | |
| 6000L | | | | |
| 7500L | | | | |
| 8500L | | | | |

1. 2 ft. length only available in 2000L and 3000L models.
2. UNV and 480 only available in 7500L and 8500L models.
3. EM not available in 2 ft. length.
4. 7500L model only available in UNV and 480

NOTE: Consult factory if continuous rows are

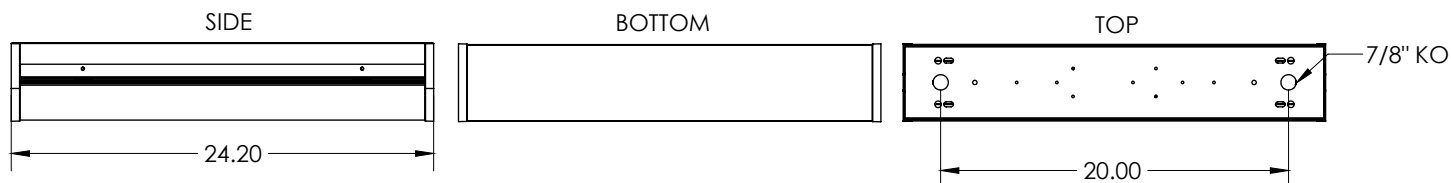


LED HIGH OUTPUT STRIP LED LIGHTING

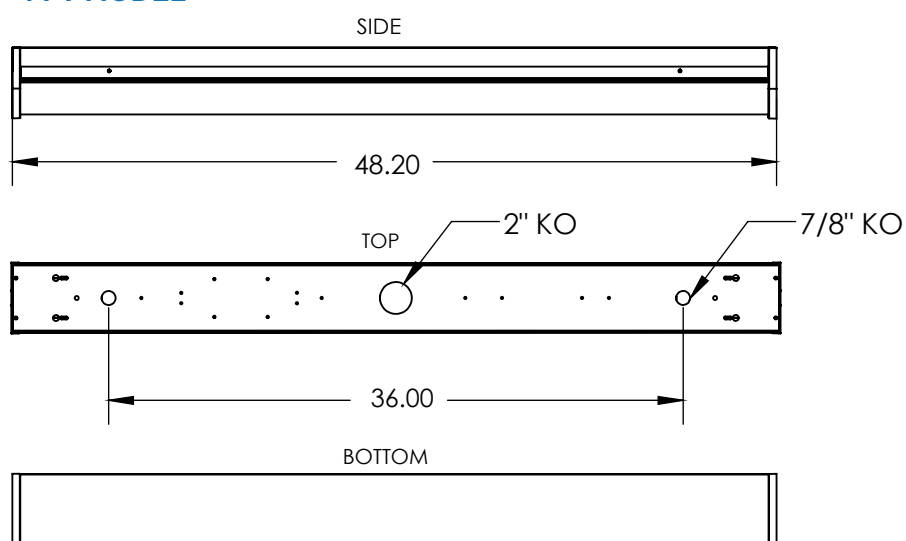
LRS LED

DIMENSIONAL DATA

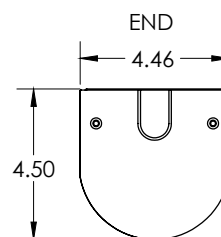
2 FT MODEL



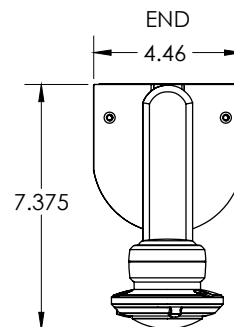
4 FT MODEL



END VIEW FOR ALL SIZES



END VIEW SHOWN WITH FSP-211 PROGRAMMABLE OCCUPANCY SENSOR

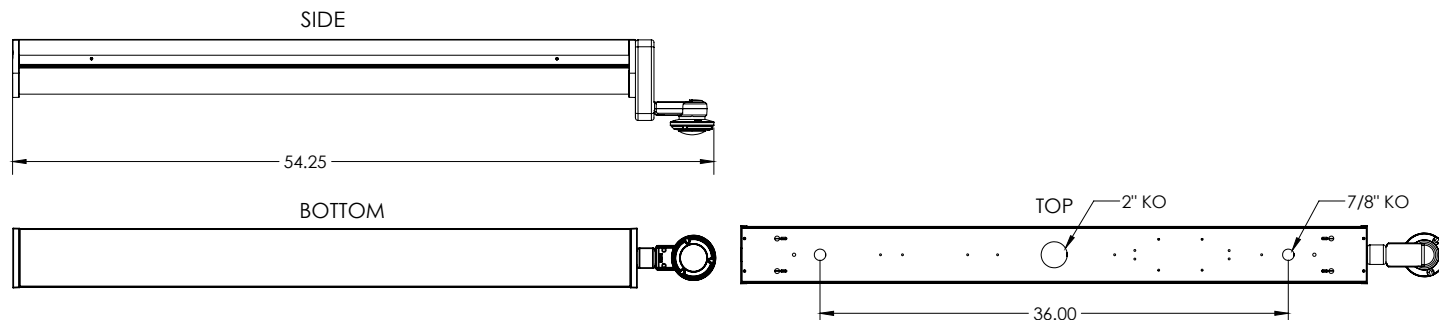


LED HIGH OUTPUT STRIP LED LIGHTING

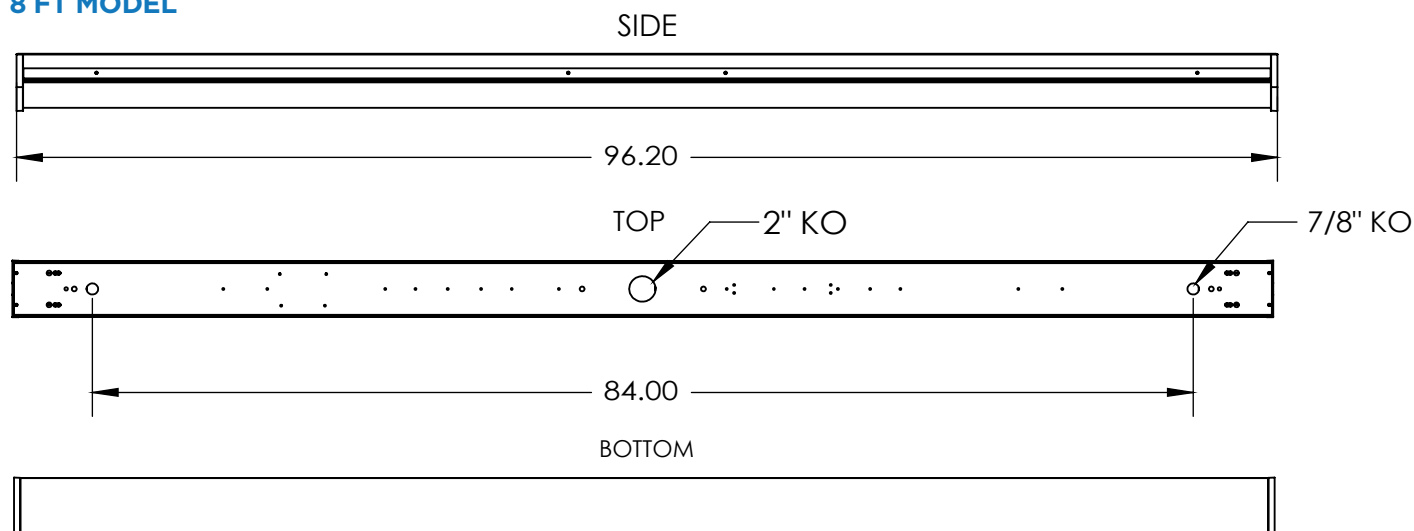
LRS LED

DIMENSIONAL DATA CONT

SHOWN WITH FSP-211 PROGRAMMABLE OCCUPANCY SENSOR



8 FT MODEL



PHOTOMETRIC DATA

PRODUCT PERFORMANCE

| REPLACES | MODEL | CCT | WATTS | LUMENS | EFFICACY |
|---------------------------|------------|-------|-------|--------|-----------|
| 2L T8 WRAP OR STRIP | LRS4-3000L | 4000K | 25.2 | 3216 | 127.6 LPW |
| | LRS4-5000L | 4000K | 42.2 | 5000 | 118.5 LPW |
| | LRS4-8500L | 5000K | 72.3 | 8846 | 122.4 LPW |

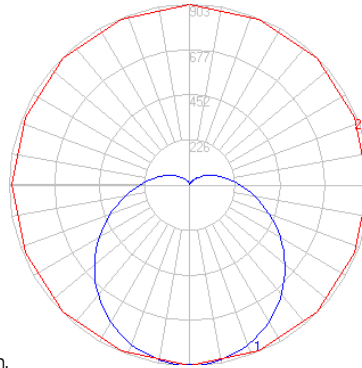
LED HIGH OUTPUT STRIP LED LIGHTING

LRS LED

PHOTOMETRIC DATA

LRS 3000L

Catalog Number:
LRS4-3000L-40K-DIM
Report Number: ATALO26632.ies
Issue Date: 11/07/18
Lamp: (2) LED Modules
Lens/Optics: Ribbed Frosted Lens
IESNA: LM-63-2002
Total Input Watts: 25.2
Efficacy (Lm/W): 127.6
Total Lumens: 3216
Prepared by: American Testing & Assessment Laboratory
NOTE: Data shown is absolute for product shown.



CANDELA DISTRIBUTION

| | 0° | 22.5° | 45° | 67.5° | 90° |
|-----|-----|-------|-----|-------|-----|
| 0° | 898 | 898 | 898 | 898 | 898 |
| 15° | 839 | 845 | 856 | 865 | 872 |
| 25° | 757 | 767 | 789 | 811 | 823 |
| 35° | 645 | 661 | 700 | 737 | 754 |
| 45° | 519 | 542 | 596 | 647 | 669 |
| 55° | 385 | 416 | 485 | 548 | 572 |
| 65° | 252 | 294 | 376 | 447 | 473 |
| 75° | 125 | 185 | 279 | 351 | 376 |
| 85° | 24 | 101 | 199 | 268 | 291 |
| 90° | 1 | 71 | 165 | 231 | 253 |

ZONAL LUMEN SUMMARY

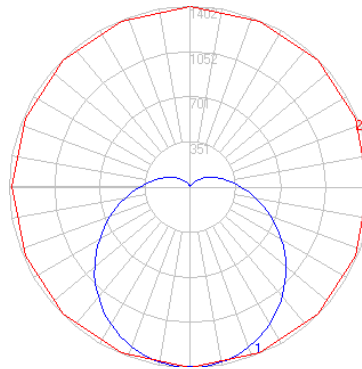
| Zone | Lumens | %Fixt |
|--------|---------|--------|
| 0-30 | 689.88 | 21.50 |
| 0-40 | 1127.74 | 35.10 |
| 0-60 | 2018.03 | 62.70 |
| 0-80 | 2667.36 | 82.90 |
| 0-90 | 2866.45 | 89.10 |
| 90-180 | 349.67 | 10.90 |
| 0-180 | 3216.12 | 100.00 |

AVERAGE LUMINANCE

| | 0° | 45° | 90° |
|-----|------|------|------|
| 45° | 5655 | 4751 | 4884 |
| 55° | 5074 | 4222 | 4460 |
| 65° | 4370 | 3729 | 4091 |
| 75° | 3315 | 3334 | 3781 |
| 85° | 1446 | 3108 | 3625 |

LRS 5000L

Catalog Number:
LRS4-5000L-40K-DIM
Report Number: ATALO26616.ies
Issue Date: 11/01/18
Lamp: (2) LED Modules
Lens/Optics: Ribbed Frosted Lens
IESNA: LM-63-2002
Total Input Watts: 42.2
Efficacy (Lm/W): 118.5
Total Lumens: 5000
Prepared by: American Testing & Assessment Laboratory
NOTE: Data shown is absolute for product shown.



CANDELA DISTRIBUTION

| | 0° | 22.5° | 45° | 67.5° | 90° |
|-----|------|-------|------|-------|------|
| 0° | 1394 | 1394 | 1394 | 1394 | 1394 |
| 15° | 1302 | 1312 | 1331 | 1344 | 1356 |
| 25° | 1172 | 1190 | 1226 | 1262 | 1279 |
| 35° | 998 | 1027 | 1088 | 1148 | 1172 |
| 45° | 802 | 841 | 926 | 1009 | 1039 |
| 55° | 595 | 645 | 755 | 853 | 893 |
| 65° | 390 | 455 | 588 | 696 | 738 |
| 75° | 192 | 288 | 437 | 548 | 589 |
| 85° | 37 | 158 | 311 | 419 | 456 |
| 90° | 1 | 113 | 258 | 361 | 395 |

ZONAL LUMEN SUMMARY

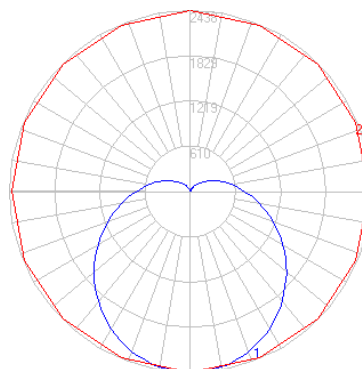
| Zone | Lumens | %Fixt |
|--------|---------|--------|
| 0-30 | 1071.51 | 21.40 |
| 0-40 | 1751.91 | 35.00 |
| 0-60 | 3136.04 | 62.70 |
| 0-80 | 4147.22 | 83.00 |
| 0-90 | 4458.57 | 89.20 |
| 90-180 | 540.95 | 10.80 |
| 0-180 | 4999.52 | 100.00 |

AVERAGE LUMINANCE

| | 0° | 45° | 90° |
|-----|------|------|------|
| 45° | 8782 | 6232 | 6183 |
| 55° | 7766 | 5281 | 5396 |
| 65° | 6546 | 4422 | 4674 |
| 75° | 4714 | 3673 | 4047 |
| 85° | 1792 | 3069 | 3542 |

LRS 8500L

Catalog Number:
LRS4-8500L-50K-DIM
Report Number: ATALO26663.ies
Issue Date: 01/14/19
Lamp: (4) LED Modules
Lens/Optics: Ribbed Frosted Lens
IESNA: LM-63-2002
Total Input Watts: 72.3
Efficacy (Lm/W): 122.4
Total Lumens: 8846
Prepared by: American Testing & Assessment Laboratory
NOTE: Data shown is absolute for product shown.



CANDELA DISTRIBUTION

| | 0° | 22.5° | 45° | 67.5° | 90° |
|-----|------|-------|------|-------|------|
| 0° | 2427 | 2427 | 2427 | 2427 | 2427 |
| 15° | 2268 | 2283 | 2312 | 2338 | 2356 |
| 25° | 2037 | 2069 | 2126 | 2190 | 2219 |
| 35° | 1730 | 1782 | 1882 | 1990 | 2034 |
| 45° | 1388 | 1454 | 1603 | 1753 | 1810 |
| 55° | 1031 | 1114 | 1312 | 1495 | 1566 |
| 65° | 673 | 794 | 1032 | 1233 | 1311 |
| 75° | 332 | 510 | 777 | 985 | 1064 |
| 85° | 63 | 288 | 568 | 769 | 839 |
| 90° | 2 | 212 | 478 | 670 | 735 |

ZONAL LUMEN SUMMARY

| Zone | Lumens | %Fixt |
|--------|---------|--------|
| 0-30 | 1861.06 | 21.00 |
| 0-40 | 3041.19 | 34.40 |
| 0-60 | 5447.23 | 61.60 |
| 0-80 | 7238.23 | 81.80 |
| 0-90 | 7808.2 | 88.30 |
| 90-180 | 1037.39 | 11.70 |
| 0-180 | 8845.58 | 100.00 |

AVERAGE LUMINANCE

| | 0° | 45° | 90° |
|-----|-------|-------|-------|
| 45° | 15123 | 12778 | 13213 |
| 55° | 13588 | 11421 | 12211 |
| 65° | 11671 | 10236 | 11340 |
| 75° | 8805 | 9284 | 10698 |
| 85° | 3796 | 8871 | 10450 |

LED HIGH OUTPUT STRIP LED LIGHTING

LRS LED

MOUNTING ACCESSORIES

ADJUSTABLE CABLE HANGER

Please specify lengths when ordering this accessory separately with customer service. (For custom lengths, please consult factory)

MS0199

5 FT. ADJUSTABLE CABLE HANGER

MS0214

10 FT. ADJUSTABLE CABLE HANGER

MS1680

15 FT. ADJUSTABLE CABLE HANGER



S-HOOK & CHAIN

Please specify lengths when ordering this accessory separately with customer service. (For custom lengths, please consult factory)

MS0045

S-HOOK

MS0351

3 FT. CHAIN

