

Project Name	Type
Catalog #	Date

HIGH OUTPUT STRIP LED LIGHTING TUNABLE WHITE

LRS LED TW



APPLICATIONS

- Industrial/Manufacturing
- Warehouse/Storage Areas
- Commercial Spaces
- General Linear/Aisle Lighting

APPROVALS

- Tested to UL1598 and CSA C22.2#250.0.0:2008
- Suitable for dry and damp locations.
- BAA Compliant.
- RoHS Compliant.
- Appropriate parts/test guidelines were performed by ATAL www.ata-labs.com

FEATURES

- Tunable White option to control CCT output
- Up to 8000 Lm delivered
- An energy-efficient LED replacement for up a 2 lamp T8 fluorescent wrap or strip
- Low wattage, high efficiency luminaire utilizing patented LED technology
- Operating temperature: -40°C to +50°C (-40°F to +122°F)

CONSTRUCTION

- Available in 2, 4 or 8 foot models
- Housing: 22 gauge white steel with die-cast end caps mechanically fastened to body for strength and rigidity
- Proprietary ribbed, frosted lens.
- Weight: 4 ft. model - 8 lbs., 8 ft. model - 16 lbs. (will vary slightly depending on driver specified)

MOUNTING

- Surface, adjustable cable or chain mount ready.

ELECTRICAL

- LED modules individually replaceable ensuring easy serviceability in the field.
- Driver: 20-48VDC Class 2, constant current, electronic power supply factory calibrated to LED modules. Multi-volt 120-277V, 0-10V dimming option is standard.
- Voltage: 120-277VAC input. Optional 480V.
- DEXAL or DALI Tunable White programming is available.
- Best in class LEDs (90 CRI)

OPTICS

- Lumen Maintenance: >100,000 hours at 70% initial lumens (L₇₀).

WARRANTY

- Backed by XtraLight's industry leading 10-year warranty.

ORDER LOGIC

SAMPLE CATALOG NUMBER: LRS4-4000L-2765-DAL

LENGTH	MODEL	CCT	DRIVER	SPECIAL OPTIONS
2 2 ft.	2000L 4000L	2765 2700K to 6500K	DAL DALI Program	EM ¹ Emergency Battery Back-Up
4 4 ft.	4000L 8000L		DEX DEXAL Program	WG Wire Guard GTD Generator Transfer Device
8 8 ft.	4000L 8000L			

1. EM not available in 2 ft. length.

NOTE: Consult factory if continuous rows are required.
Consult factory for sensor compatibility and options

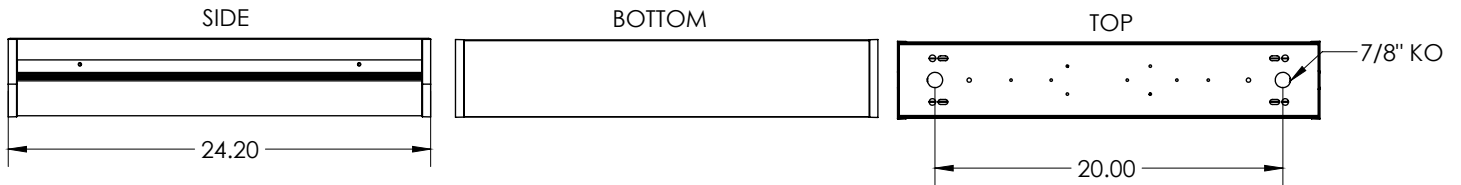


HIGH OUTPUT STRIP LED LIGHTING TUNABLE WHITE

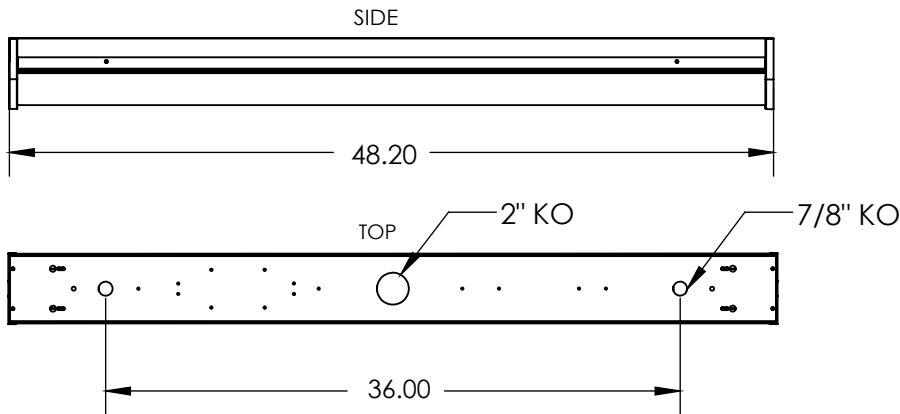
LRS LED TW

DIMENSIONAL DATA

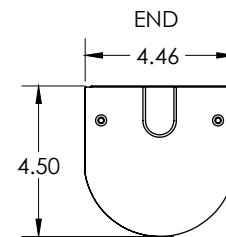
2 FT MODEL



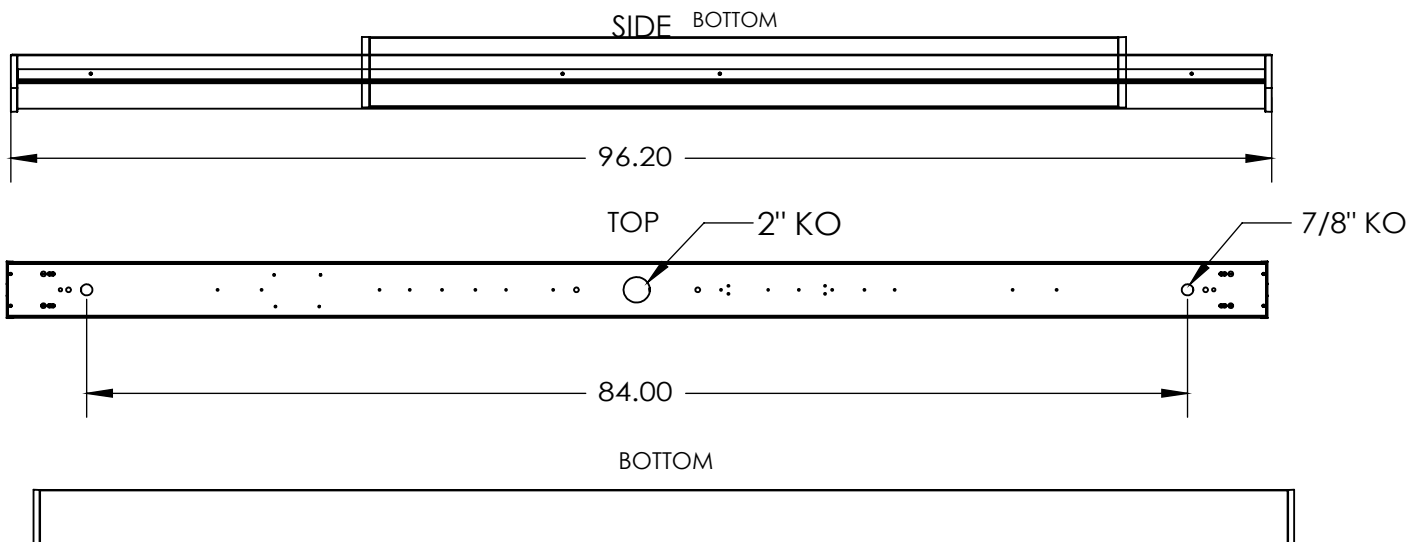
4 FT MODEL



END VIEW FOR ALL SIZES



8 FT MODEL



LED HIGH OUTPUT STRIP LED LIGHTING

LRS LED

PHOTOMETRIC DATA

LRS4 4000L TW

Catalog Number:

LRS4-4000L-2765-DAL

Report Number: ATAL031474.ies

Issue Date: 12/03/19/18

Lamp: (2) LED Modules

Lens/Optics: Ribbed Frosted Lens

IESNA: LM-63-2002

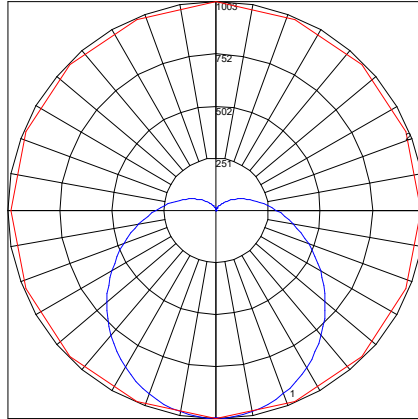
Total Input Watts: 35.7

Efficacy (Lm/W): 100

Total Lumens: 3572

Prepared by: American Testing & Assessment Laboratory

NOTE: Data shown is absolute for product shown.



PRODUCT PERFORMANCE

LENGTH	MODEL	CCT	WATTS	LUMENS	EFFICACY
4 ft.	4000L	2700K TO 6500K	35.7	3572	100 LPW

HIGH OUTPUT STRIP LED LIGHTING TUNABLE WHITE

LRS LED TW

MOUNTING ACCESSORIES

ADJUSTABLE CABLE HANGER

Please specify lengths when ordering this accessory separately with customer service. (For custom lengths, please consult factory)

MS0199

5 FT. ADJUSTABLE CABLE HANGER

MS0214

10 FT. ADJUSTABLE CABLE HANGER

MS1680

15 FT. ADJUSTABLE CABLE HANGER



S-HOOK & CHAIN

Please specify lengths when ordering this accessory separately with customer service. (For custom lengths, please consult factory)

MS0045

S-HOOK

MS0351

3 FT. CHAIN

