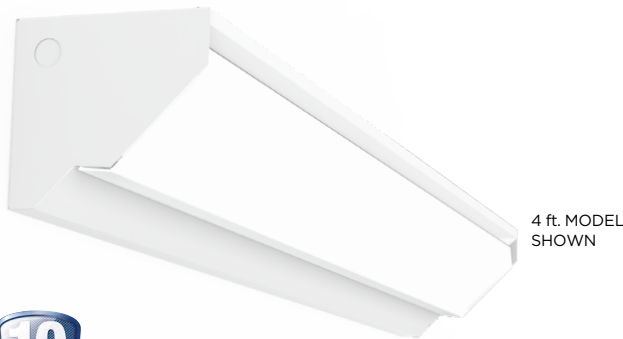


| | |
|--------------|------|
| Project Name | Type |
| Catalog # | Date |

STAIRWELL ANGLE WRAP LED

WAI LED



APPLICATIONS

- Stairwells
- Corridors
- Uplight
- Education

APPROVALS

- Tested to UL1598 and CSA C22.2#250.0.0:2008
- Suitable for damp locations.
- BAA Compliant.
- RoHS Compliant.
- Appropriate parts/test guidelines were performed by ATAL www.ata-labs.com

FEATURES

- Energy-efficient replacement for up to a 2 lamp T5HO or T8 fluorescent luminaire.
- Utilizes high efficiency patented LED technology.
- Slim profile and sturdy construction.
- Efficient asymmetrical light.
- Ultrasonic sensor option.
- Front accessible sensor controls.

ELECTRICAL

- Voltage - 120-277VAC input.
- Driver - 24VDC Class 2, constant current, electronic power supply factory calibrated to LED modules. Multivolt 120-277V or 0-10V dimming option is available.
- Ultrasonic sensor adjustable for 5-30 minute operation.

WARRANTY

- Backed by XtraLight's industry leading 10-year warranty.

CONSTRUCTION

- Body and end caps are code gauge aluminum.
- End caps are riveted to housing for strength and rigidity.
- Internal mount prismatic lens provides clean appearance and secure attachment.

ORDER LOGIC

SAMPLE CATALOG NUMBER: WAI4-4000L-50K-DIM-ULT

| WAI | - | - | - | - |
|---------|-------|-----------|---|--|
| LENGTH | MODEL | CCT | DRIVER | OPTIONS |
| 2 2 ft. | 2000L | 30K 3000K | DIM Dimmable, Multi-Volt 120-277V, 0-10V | ULT Ultrasonic Sensor GTD Generator Transfer Device |
| 4 4 ft. | 2000L | 35K 3500K | | |
| | 4000L | 40K 4000K | | |
| | 5000L | 50K 5000K | | |
| 8 8 ft. | 5000L | | | |
| | 7000L | | | |
| | 9500L | | | |

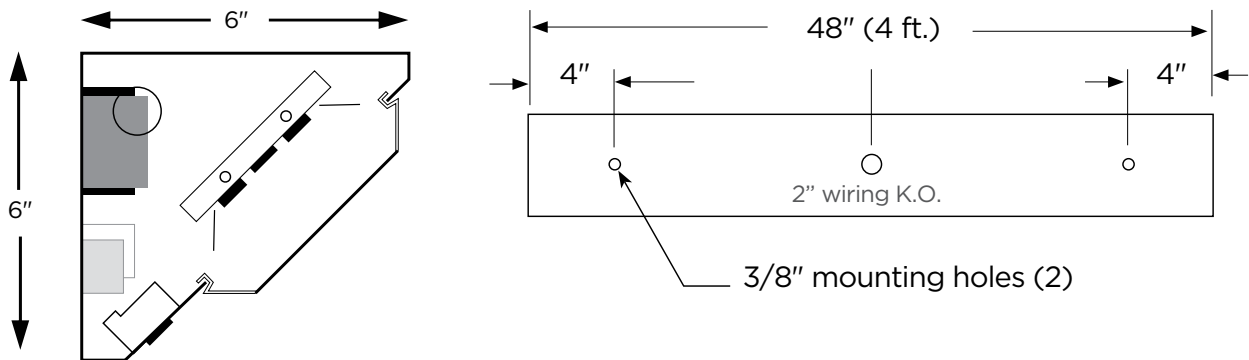
1. 8 ft. uses two 4 ft. lenses



STAIRWELL ANGLE WRAP LED

WAI LED

DIMENSIONAL DATA



PHOTOMETRIC DATA

WAI 4000L

Catalog Number:

WAI4-4000L-40K-DIM

Report Number: ATALO26623.ies

Issue Date: 11/02/18

Lamp: (2) LED Modules

Lens/Optics: Prismatic Lens

IESNA: LM-63-2002

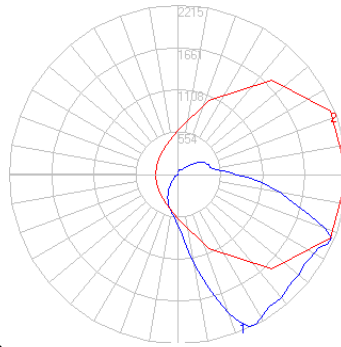
Total Input Watts: 42.9

Efficacy (1/W): 113.2

Total Lumens: 4857

Prepared by: American Testing & Assessment Laboratory

NOTE: Data shown is absolute for product shown.



CANDELA DISTRIBUTION

| | 0° | 22.5° | 45° | 67.5° | 90° |
|-----|------|-------|------|-------|-----|
| 0° | 664 | 664 | 664 | 664 | 664 |
| 15° | 1542 | 1434 | 1195 | 879 | 633 |
| 25° | 2193 | 2085 | 1632 | 1020 | 589 |
| 35° | 2100 | 2068 | 1954 | 1106 | 516 |
| 45° | 2057 | 1995 | 1856 | 1124 | 402 |
| 55° | 2027 | 1941 | 1674 | 1045 | 281 |
| 65° | 2150 | 2012 | 1586 | 778 | 205 |
| 75° | 1611 | 1480 | 1099 | 454 | 124 |
| 85° | 1056 | 952 | 633 | 246 | 39 |
| 90° | 769 | 705 | 449 | 189 | 5 |

ZONAL LUMEN SUMMARY

| Zone | Lumens | Fixt |
|--------|---------|--------|
| 0-30 | 748.29 | 15.40 |
| 0-40 | 1347.69 | 27.70 |
| 0-60 | 2732.45 | 56.30 |
| 0-90 | 4317.16 | 88.90 |
| 90-180 | 540.21 | 11.10 |
| 0-180 | 4857.37 | 100.00 |

AVERAGE LUMINANCE

| | 0° | 45° | 90° |
|-----|-------|-------|-------|
| 45° | 15642 | 18372 | 16611 |
| 55° | 14005 | 15299 | 13758 |
| 65° | 14001 | 13853 | 12792 |
| 75° | 10214 | 9467 | 11130 |
| 85° | 6722 | 5545 | 6590 |